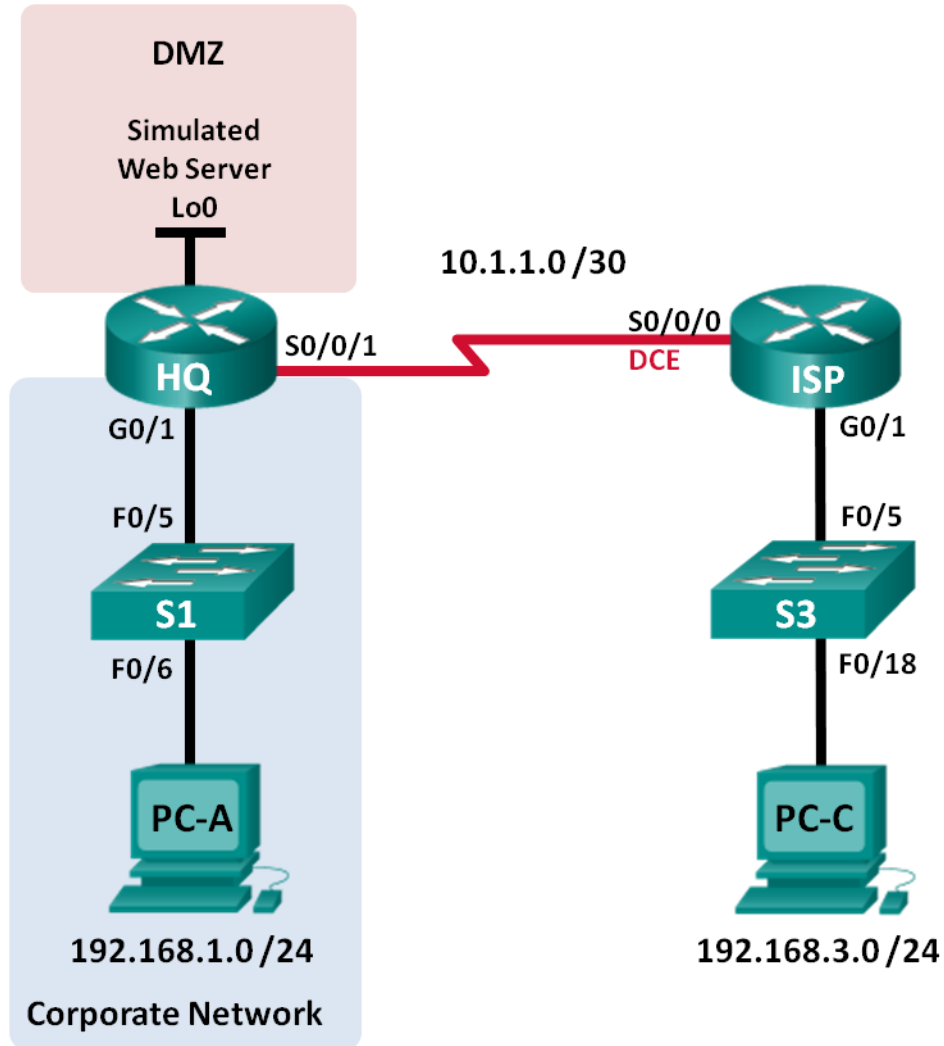


# Lab - Troubleshooting ACL Configuration and Placement

## Topology



### Addressing Table

Device	Interface	IP Address	Subnet Mask	Default Gateway
HQ	G0/1	192.168.1.1	255.255.255.0	N/A
	S0/0/1	10.1.1.2	255.255.255.252	N/A
	Lo0	192.168.4.1	255.255.255.0	N/A
ISP	G0/1	192.168.3.1	255.255.255.0	N/A
	S0/0/0 (DCE)	10.1.1.1	255.255.255.252	N/A
S1	VLAN 1	192.168.1.11	255.255.255.0	192.168.1.1
S3	VLAN 1	192.168.3.11	255.255.255.0	192.168.3.1
PC-A	NIC	192.168.1.3	255.255.255.0	192.168.1.1
PC-C	NIC	192.168.3.3	255.255.255.0	192.168.3.1

### Objectives

**Part 1: Build the Network and Configure Basic Device Settings**

**Part 2: Troubleshoot Internal Access**

**Part 3: Troubleshoot Remote Access**

### Background / Scenario

An access control list (ACL) is a series of IOS commands that can provide basic traffic filtering on a Cisco router. ACLs are used to select the types of traffic to be processed. A single ACL statement is called an access control entry (ACE). The ACEs in the ACL are evaluated from top to bottom with an implicit deny all ACE at the end of the list. ACLs can also control the types of traffic into or out of a network by the source and destination hosts or network. To process the desired traffic correctly, the placement of the ACLs is critical.

In this lab, a small company has just added a web server to the network to allow customers to access confidential information. The company network is divided into two zones: Corporate network zone and Demilitarized Zone (DMZ). The corporate network zone houses private servers and internal clients. The DMZ houses the externally accessible web server (simulated by Lo0 on HQ). Because the company can only administer its own HQ router, all ACLs must be applied to the HQ router.

- ACL 101 is implemented to limit the traffic out of the corporate network zone. This zone houses the private servers and internal clients (192.168.1.0/24). No other network should be able to access it.
- ACL 102 is used to limit the traffic into the corporate network. Only responses to requests that originated from within the corporate network are allowed back into that network. This includes TCP-based requests from internal hosts such as Web and FTP. ICMP is allowed into the network for troubleshooting purposes so that incoming ICMP messages generated in response to pings can be received by internal hosts.
- ACL 121 controls outside traffic to the DMZ and corporate network. Only HTTP traffic is allowed to the DMZ web server (simulated by Lo0 on R1). Other network related traffic, such as EIGRP, is allowed from outside networks. Furthermore, valid internal private addresses, such as 192.168.1.0, loopback address such as 127.0.0.0 and multicast addresses are denied entrance to the corporate network to prevent malicious network attacks from outside users.

**Note:** The routers used with CCNA hands-on labs are Cisco 1941 Integrated Services Routers (ISRs) with Cisco IOS Release 15.2(4)M3 (universalk9 image). The switches used are Cisco Catalyst 2960s with Cisco

IOS Release 15.0(2) (lanbasek9 image). Other routers, switches and Cisco IOS versions can be used. Depending on the model and Cisco IOS version, the commands available and output produced might vary from what is shown in the labs. Refer to the Router Interface Summary Table at the end of the lab for the correct interface identifiers.

**Note:** Make sure that the routers and switches have been erased and have no startup configurations. If you are unsure, contact your instructor.

### Required Resources

- 2 Routers (Cisco 1941 with Cisco IOS Release 15.2(4)M3 universal image or comparable)
- 2 Switches (Cisco 2960 with Cisco IOS Release 15.0(2) lanbasek9 image or comparable)
- 2 PCs (Windows 7, Vista, or XP with terminal emulation program, such as Tera Term)
- Console cables to configure the Cisco IOS devices via the console ports
- Ethernet and serial cables as shown in the topology

### Part 1: Build the Network and Configure Basic Device Settings

In Part 1, you set up the network topology and configure the routers and switches with some basic settings, such as passwords and IP addresses. Preset configurations are also provided for you for the initial router configurations. You will also configure the IP settings for the PCs in the topology.

**Step 1: Cable the network as shown in the topology.**

**Step 2: Configure PC hosts.**

**Step 3: Initialize and reload the routers and switches as necessary.**

**Step 4: (Optional) Configure basic settings for each switch.**

- Disable DNS lookup.
- Configure host names as shown in the Topology.
- Configure IP address and default gateway in Addressing Table.
- Assign **cisco** as the console and vty passwords.
- Assign **class** as the privileged EXEC password.
- Configure **logging synchronous** to prevent console messages from interrupting command entry.

**Step 5: Configure basic settings for each router.**

- Disable DNS lookup.
- Configure host names as shown in the topology.
- Assign **cisco** as the console and vty passwords.
- Assign **class** as the privileged EXEC password.
- Configure **logging synchronous** to prevent console messages from interrupting command entry.

**Step 6: Configure HTTP access and user credentials on HQ router.**

Local user credentials are configured to access the simulated web server (192.168.4.1).

```
HQ(config)# ip http server
```

## Lab - Troubleshooting ACL Configuration and Placement

---

```
HQ(config)# username admin privilege 15 secret adminpass
HQ(config)# ip http authentication local
```

### Step 7: Load router configurations.

The configurations for the routers ISP and HQ are provided for you. There are errors within these configurations, and it is your job to determine the incorrect configurations and correct them.

#### Router ISP

```
hostname ISP
interface GigabitEthernet0/1
 ip address 192.168.3.1 255.255.255.0
 no shutdown
interface Serial0/0/0
 ip address 10.1.1.1 255.255.255.252
 clock rate 128000
 no shutdown
router eigrp 1
 network 10.1.1.0 0.0.0.3
 network 192.168.3.0
 no auto-summary
end
```

#### Router HQ

```
hostname HQ
interface Loopback0
 ip address 192.168.4.1 255.255.255.0
interface GigabitEthernet0/1
 ip address 192.168.1.1 255.255.255.0
 ip access-group 101 out
 ip access-group 102 in
 no shutdown
interface Serial0/0/1
 ip address 10.1.1.2 255.255.255.252
 ip access-group 121 in
 no shutdown
router eigrp 1
 network 10.1.1.0 0.0.0.3
 network 192.168.1.0
 network 192.168.4.0
 no auto-summary
access-list 101 permit ip 192.168.11.0 0.0.0.255 any
access-list 101 deny ip any any
access-list 102 permit tcp any any established
access-list 102 permit icmp any any echo-reply
access-list 102 permit icmp any any unreachable
access-list 102 deny ip any any
access-list 121 permit tcp any host 192.168.4.1 eq 89
access-list 121 deny icmp any host 192.168.4.11
access-list 121 deny ip 192.168.1.0 0.0.0.255 any
access-list 121 deny ip 127.0.0.0 0.255.255.255 any
```

```
access-list 121 deny ip 224.0.0.0 31.255.255.255 any
access-list 121 permit ip any any
access-list 121 deny ip any any
end
```

### Part 2: Troubleshoot Internal Access

In Part 2, the ACLs on router HQ are examined to determine if they are configured correctly.

#### Step 1: Troubleshoot ACL 101

ACL 101 is implemented to limit the traffic out of the corporate network zone. This zone houses only internal clients and private servers. Only 192.168.1.0/24 network can exit this corporate network zone.

- a. Can PC-A ping its default gateway?
- b. After verifying that the PC-A was configured correctly, examine the HQ router to find possible configuration errors by viewing the summary of ACL 101. Enter the command **show access-lists 101**.

```
HQ# show access-lists 101
Extended IP access list 101
 10 permit ip 192.168.11.0 0.0.0.255 any
 20 deny ip any any
```

- c. Are there any problems with ACL 101?
- d. Examine the default gateway interface for the 192.168.1.0 /24 network. Verify that the ACL 101 is applied in the correct direction on the G0/1 interface. Enter the **show ip interface g0/1** command.

```
HQ# show ip interface g0/1
GigabitEthernet0/1 is up, line protocol is up
 Internet address is 192.168.1.1/24
 Broadcast address is 255.255.255.255
 Address determined by setup command
 MTU is 1500 bytes
 Helper address is not set
 Directed broadcast forwarding is disabled
 Multicast reserved groups joined: 224.0.0.10
 Outgoing access list is 101
 Inbound access list is 102
```

Is the direction for interface G0/1 configured correctly for ACL 101?

- e. Correct the errors found regarding ACL 101 and verify the traffic from network 192.168.1.0 /24 can exit the corporate network. Record the commands used to correct the errors.

- f. Verify PC-A can ping its default gateway interface.

### Step 2: Troubleshoot ACL 102

ACL 102 is implemented to limit traffic into the corporate network. Traffic originating from the outside network is not allowed onto the corporate network. Remote traffic is allowed into the corporate network if the established traffic originated from the internal network. ICMP reply messages are allowed for troubleshooting purposes.

- a. Can PC-A ping PC-C?
- b. Examine the HQ router to find possible configuration errors by viewing the summary of ACL 102. Enter the command **show access-lists 102**.

```
HQ# show access-lists 102
Extended IP access list 102
 10 permit tcp any any established
 20 permit icmp any any echo-reply
 30 permit icmp any any unreachable
 40 deny ip any any (57 matches)
```

- c. Are there any problems with ACL 102?
- d. Verify that the ACL 102 is applied in the correct direction on G0/1 interface. Enter the **show ip interface g0/1** command.

```
HQ# show ip interface g0/1
GigabitEthernet0/1 is up, line protocol is up
 Internet address is 192.168.1.1/24
 Broadcast address is 255.255.255.255
 Address determined by setup command
 MTU is 1500 bytes
 Helper address is not set
 Directed broadcast forwarding is disabled
 Multicast reserved groups joined: 224.0.0.10
 Outgoing access list is 101
 Inbound access list is 101
```

- e. Are there any problems with the application of ACL 102 to interface G0/1?
- f. Correct any errors found regarding ACL 102. Record the commands used to correct the errors.
- g. Can PC-A ping PC-C now?

### Part 3: Troubleshoot Remote Access

In Part 3, ACL 121 is configured to prevent spoofing attacks from the outside networks and allow only remote HTTP access to the web server (192.168.4.1) in DMZ.

- a. Verify ACL 121 has been configured correctly. Enter the **show ip access-list 121** command.

```
HQ# show ip access-lists 121
Extended IP access list 121
 10 permit tcp any host 192.168.4.1 eq 80
 20 deny icmp any host 192.168.4.11
```

## Lab - Troubleshooting ACL Configuration and Placement

---

```
30 deny ip 192.168.1.0 0.0.0.255 any
40 deny ip 127.0.0.0 0.255.255.255 any
50 deny ip 224.0.0.0 31.255.255.255 any
60 permit ip any any (354 matches)
70 deny ip any any
```

Are there any problems with this ACL?

- b. Verify that the ACL 121 is applied in the correct direction on the R1 S0/0/1 interface. Enter the **show ip interface s0/0/1** command.

```
HQ# show ip interface s0/0/1
Serial0/0/1 is up, line protocol is up
  Internet address is 10.1.1.2/30
  Broadcast address is 255.255.255.255
<output omitted>
  Multicast reserved groups joined: 224.0.0.10
  Outgoing access list is not set
  Inbound access list is 121
```

Are there any problems with the application of this ACL?

- c. If any errors were found, make and record the necessary configuration changes to ACL 121.

- d. Verify that PC-C can only access the simulated web server on HQ by using the web browser. Provide the username **admin** and password **adminpass** to access the web server (192.168.4.1).

### Reflection

1. How should the ACL statement be ordered? From general to specific or vice versa?
2. If you delete an ACL by using the **no access-list** command and the ACL is still applied to the interface, what happens?

### Router Interface Summary Table

Router Interface Summary				
Router Model	Ethernet Interface #1	Ethernet Interface #2	Serial Interface #1	Serial Interface #2
1800	Fast Ethernet 0/0 (F0/0)	Fast Ethernet 0/1 (F0/1)	Serial 0/0/0 (S0/0/0)	Serial 0/0/1 (S0/0/1)
1900	Gigabit Ethernet 0/0 (G0/0)	Gigabit Ethernet 0/1 (G0/1)	Serial 0/0/0 (S0/0/0)	Serial 0/0/1 (S0/0/1)
2801	Fast Ethernet 0/0 (F0/0)	Fast Ethernet 0/1 (F0/1)	Serial 0/1/0 (S0/1/0)	Serial 0/1/1 (S0/1/1)
2811	Fast Ethernet 0/0 (F0/0)	Fast Ethernet 0/1 (F0/1)	Serial 0/0/0 (S0/0/0)	Serial 0/0/1 (S0/0/1)
2900	Gigabit Ethernet 0/0 (G0/0)	Gigabit Ethernet 0/1 (G0/1)	Serial 0/0/0 (S0/0/0)	Serial 0/0/1 (S0/0/1)

**Note:** To find out how the router is configured, look at the interfaces to identify the type of router and how many interfaces the router has. There is no way to effectively list all the combinations of configurations for each router class. This table includes identifiers for the possible combinations of Ethernet and Serial interfaces in the device. The table does not include any other type of interface, even though a specific router may contain one. An example of this might be an ISDN BRI interface. The string in parenthesis is the legal abbreviation that can be used in Cisco IOS commands to represent the interface.